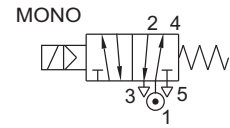


5/2, 3/2 CONVERTIBLE POPPET TYPE, NAMUR SOLENOID VALVE

TYPE	PRESSURE

TYPE	PRESSURE

TYPE	PRESSURE
51424	2 - 10 bar



FEATURES

- Ideally suited for dusty out door application
- Poppet design for faster operation
- Dust cap fitted on exhaust port



Match Slot to 5/2 for 5/2

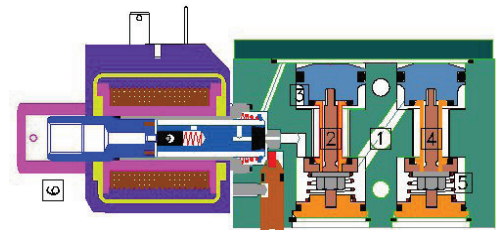


Match Slot to 3/2 for 3/2



WETTED PARTS

Code	※	B1	B5
Body	Anodized Aluminium	Anodized Aluminium	SS 316
Internals	Aluminium, Brass and SS 316	SS 316	SS 316
Guide Assembly	SS 304		
Shadow-Ring	Copper/ Silver/ None		
Plunger, Insert	SS 430		
Spring/ Circlip	SS 302/ Steel Plated		
Fasteners	SS 304		
Seat, Seals	NBR, Viton		



AMBIENT AND FLUID TEMPERATURE

-30 °C to 75 °C

SPECIAL VERSION AND SUFFIX

Suffix : (Valve) AM

Special version : (Solenoid) CO, FR, SS, LC, III

MEDIA

Air, Inert Gases

APPLICATION

Operation of double/ single acting actuator

PORT CONNECTION

INLET	OUTLET	OUTLET	EXHAUST	EXHAUST	PILOT EXHAUST
1	2	4	3	5	6

Contact Rotex for

- Any other ambient, fluid temperature, media and application
- UL listed, Listed general purpose Valve



SPARES

(Refer page 25 for ordering code)

SPARE KIT	CODE
Seal Kit : Oring Set and Plunger Assembly	98
Repair Kit : Oring Set, Plunger Assembly, Fastener, Springs, Manual Override, Guide Assembly, Piston Kit	99
Solenoid Kit : Solenoid, Gasket and Nut	34

APPROVAL

(※ applied for)

Approval	TYPE 4X, 6P	IP67	Ex d IIC T4 or T5 or T6 IP66	Ex ia IIC T6 IP67	DGMS	CCOE
		✓	✓	✓	✓	✓
CE		✓	✓	✓		
UL	✓		*			
			✓	✓		
EAC			✓	✓		
			✓	✓		

5/2, 3/2 CONVERTIBLE POPPET TYPE, NAMUR SOLENOID VALVE

SPECIFICATION

PORT CONNECTION	PRE-SSURE bar	ORIFICE (mm)	FLOW FACTOR kv (LPM OF WATER @ 1 bar ΔP)	VALVE TYPE	PILOT PRESSURE	BODY MATERIAL AND INTERNALS		SEALS				MANUAL OVERRIDE		SOLENOID ENCLOSURE		OUTLET PORT	POWER VA		CONSTRUCTION REFERENCE NUMBER	
						ALUMINIUM	ALUMINIUM + SS	NBR	Viton	EPDM	HYTREL	PTFE	NIL	STAYPUT CUM MOMENTARY	MOMENTARY		FLYING LEAD	PLUG IN, IP67		SQ. PLUG IN, IP67

5/2, 3/2 CONVERTIBLE SINGLE SOLENOID

1/4"	2G	2R	2	10	6	12	51424	*	B1	B5	*	S2			M0	*	M8	22		T	E	14	2	18	12	8	N11
------	----	----	---	----	---	----	-------	---	----	----	---	----	--	--	----	---	----	----	--	---	---	----	---	----	----	---	-----

Cable Entry	T	E				
		Ex d	Ex ia	Ex emb		
M20 x 1.5	19	39	87MS	66MS	58MS	58LTMS
M25 x 1.5		87	66	58	58LT	
1/2" NPT	16	37	87NS	66NS	58NS	58LTNS

* = Do not specify when opted for. Refer Page # 22 for Value of *

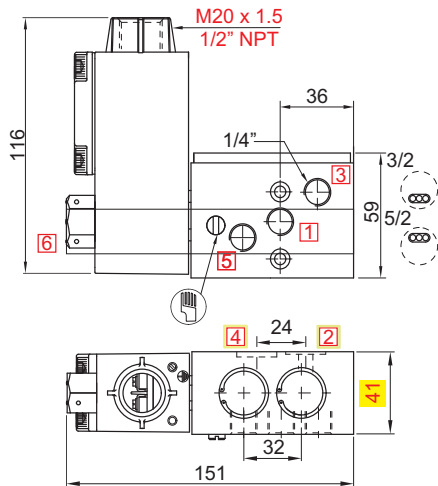
ORDERING CODE, EXAMPLE VALVE + SOLENOID

TYPE - SUFFIX - ORIFICE - PORT CONNECTION - BODY AND INTERNALS - MANUAL OVERRIDE - SEAL- MEDIA + SIZE - VOLTAGE - CURRENT - SOLENOID ENCLOSURE - SPECIAL VERSION - POWER - INSULATION - APPROVAL
 e.g. 51424-6-2G+I-230V 50Hz-22-H

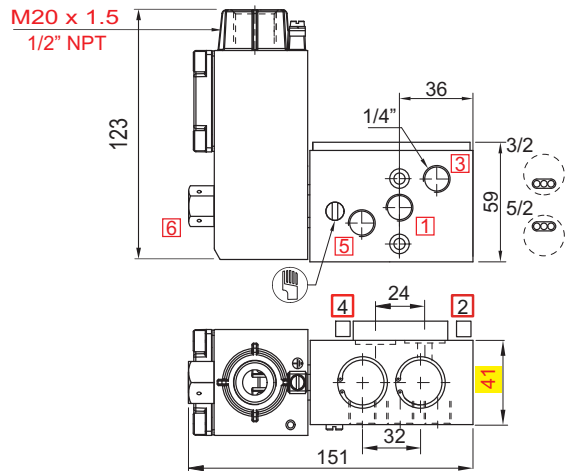
DIMENSIONS

All Dimensions are in mm

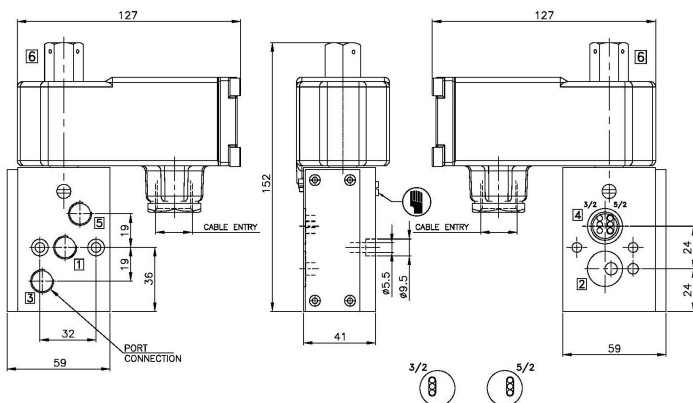
CONSTRUCTION REFERENCE N11



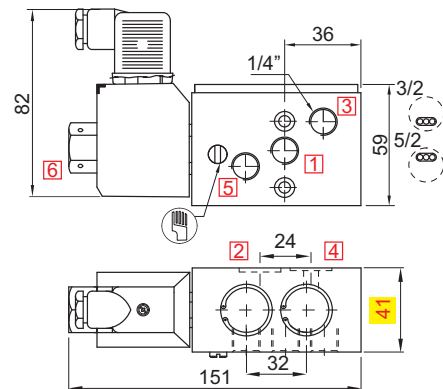
TERMINAL BOX/ Ex d TYPE 16, 19, 37, 39, 58, 58LT



TERMINAL BOX/ Ex d LARGE ENCLOSURE, TYPE 16, 19, 37, 39, 58, 58LT



BCE SOLENOID/ Ex d TYPE 87



PLUG IN SOLENOID TYPE 22/ 25